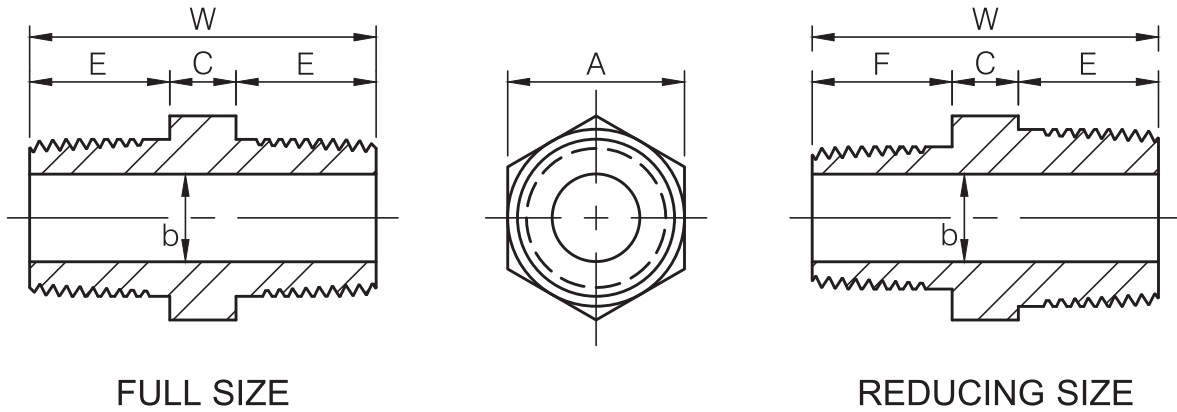


HEX NIPPLE

BS3799-1974



FULL SIZE

REDUCING SIZE

Dimensions are in millimeters.

Nominal Size				A (Min)	W (Min)	E (Min)	b ⁽¹⁾		C (Min)	F (Min)
Equal		Reducing					3M ⁽²⁾	6M ⁽²⁾		
In	DN	In	DN							
1/8	(6)	—	—	11	26	10	5	2	6	—
1/4	(8)	—	—	15	36	15	8	6	6	—
—	—	1/4 x 1/8	(8 x 6)	15	31	15	5	2	6	10
3/8	(10)	—	—	18	40	16	11	8	8	—
—	—	3/8 x 1/4	(10 x 8)	18	39	16	8	6	8	15
1/2	(15)	—	—	22	48	20	14	11	8	—
—	—	1/2 x 3/8	(15 x 10)	22	44	20	11	8	8	16
—	—	1/2 x 1/4	(15 x 8)	22	43	20	8	6	8	15
3/4	(20)	—	—	27	52	21	19	13	10	—
—	—	3/4 x 1/2	(20 x 15)	27	50	21	14	11	9	20
—	—	3/4 x 3/8	(20 x 10)	27	46	21	11	8	9	16
1	(25)	—	—	35	60	25	24	17	10	—
—	—	1 x 3/4	(25 x 20)	35	56	25	19	13	10	21
—	—	1 x 1/2	(25 x 15)	35	55	25	14	11	10	20
1-1/2	(40)	—	—	50	68	26	38	30	16	—
—	—	1-1/2 x 1	(40 x 25)	50	67	26	24	17	16	25
—	—	1-1/2 x 3/4	(40 x 20)	50	63	26	19	13	16	21
—	—	1-1/2 x 1/2	(40 x 15)	50	62	26	14	11	16	20
2	(50)	—	—	62	71	27	49	39	17	—
—	—	2 x 1-1/2	(50 x 40)	62	70	27	38	30	17	26
—	—	2 x 1	(50 x 25)	62	70	27	24	17	18	25
—	—	2 x 3/4	(50 x 20)	62	65	27	19	13	17	21
—	—	2 x 1/2	(50 x 15)	62	65	27	14	11	18	20

(1) Tolerance

(2) 3M & 6M symbols denote 3000 & 6000 classes.